

CARPORTS

STANDARD RANGE



CARPORT COLOUR CHART:



Titania

Grey Friars

Ironsand

Black

Zinc

Colours have been reproduced as accurately as possible.
For specific colour matching we recommend obtaining NZ Steel Colorsteel Colour samples.

Mix and Match the above colours for Posts, Fascia and Roof.

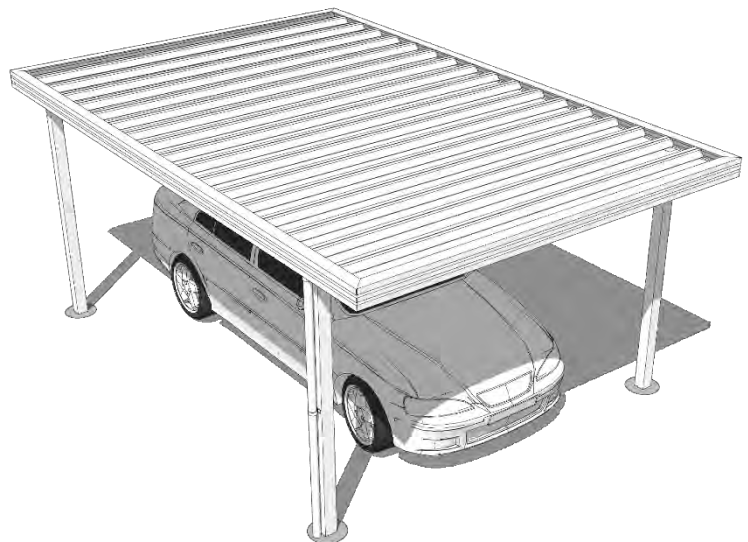
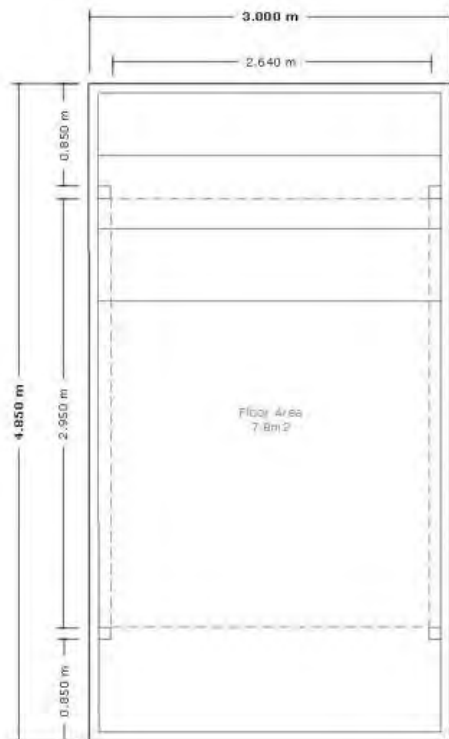
Please Note:

Zinc Carports have Zinalume Roof, Fascia and Galvanised posts.

Colour Trim Carports have a Zinalume Roof with Colorsteel Fascia and Posts.

Colorsteel Carports have a Colorsteel Fascia and Posts with Colorsteel roof, however please note Colorsteel roof is only colour on one side – the top side, the underside is a grey primer – perpetual grey.

CARPORT PLANS:



Floor Plan and Perspective drawings not to scale.

CARPORT COLOUR CHART:



Titania

Grey Friars

Ironsand

Black

Zinc

Colours have been reproduced as accurately as possible.
For specific colour matching we recommend obtaining NZ Steel Colorsteel Colour samples.

Mix and Match the above colours for Posts, Fascia and Roof.

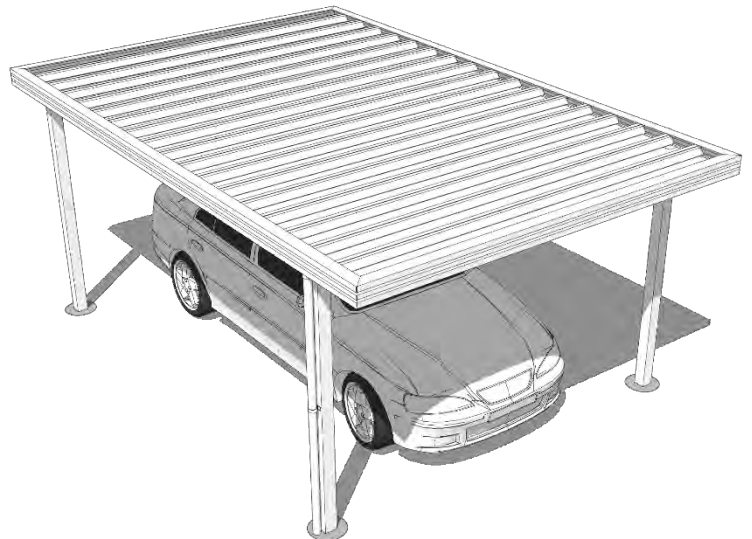
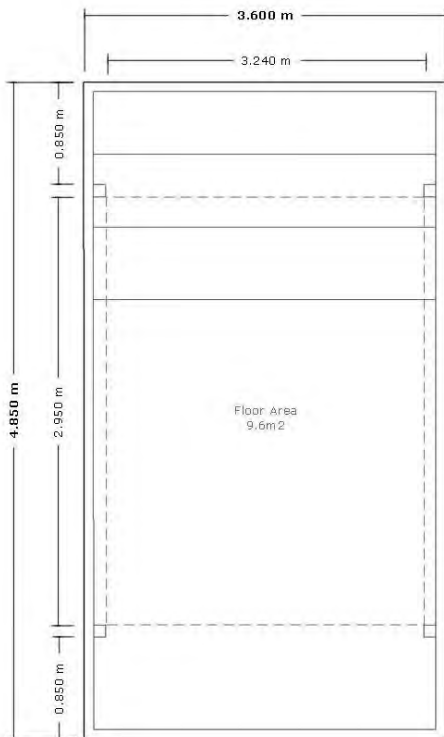
Please Note:

Zinc Carports have Zinalume Roof, Fascia and Galvanised posts.

Colour Trim Carports have a Zinalume Roof with Colorsteel Fascia and Posts.

Colorsteel Carports have a Colorsteel Fascia and Posts with Colorsteel roof, however please note Colorsteel roof is only colour on one side – the top side, the underside is a grey primer – perpetual grey.

CARPORT PLANS:



Floor Plan and Perspective drawings not to scale.

CARPORT COLOUR CHART:



Titania

Grey Friars

Ironsand

Black

Zinc

Colours have been reproduced as accurately as possible.
For specific colour matching we recommend obtaining NZ Steel Colorsteel Colour samples.

Mix and Match the above colours for Posts, Fascia and Roof.

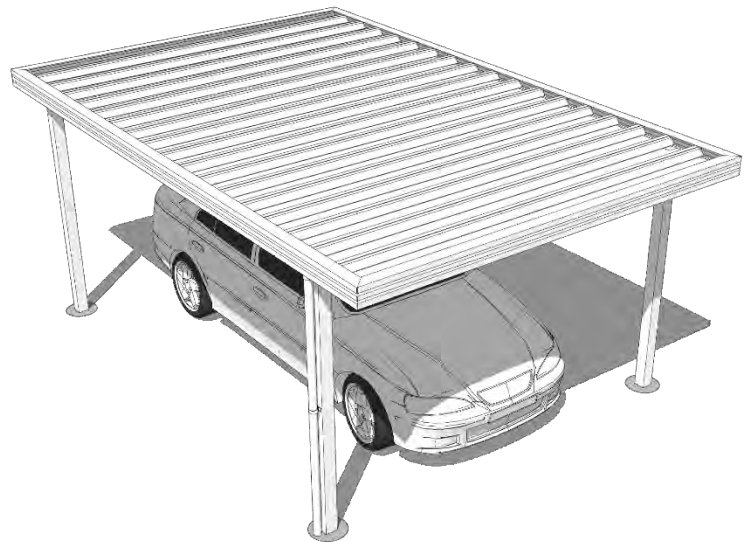
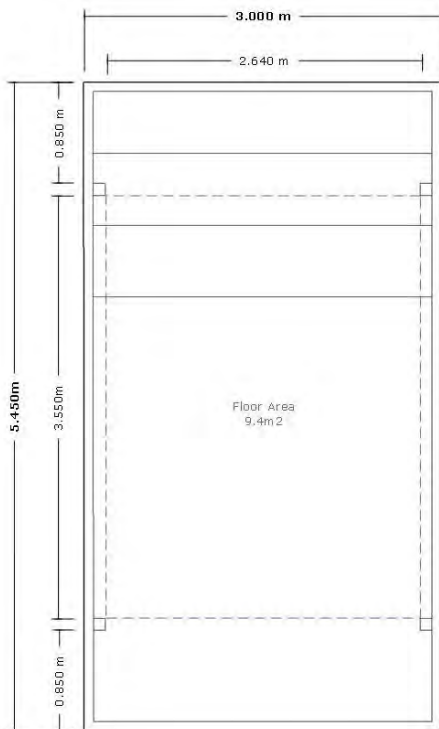
Please Note:

Zinc Carports have Zinalume Roof, Fascia and Galvanised posts.

Colour Trim Carports have a Zinalume Roof with Colorsteel Fascia and Posts.

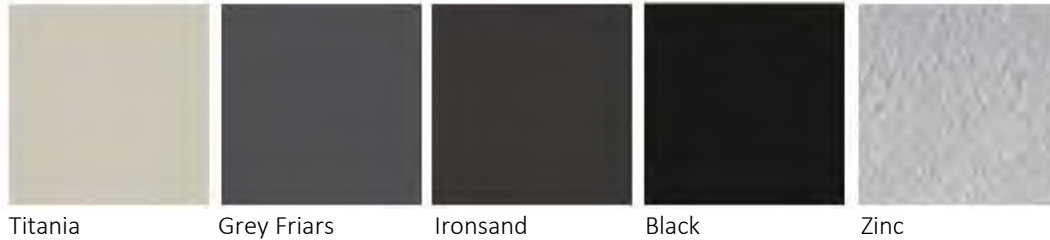
Colorsteel Carports have a Colorsteel Fascia and Posts with Colorsteel roof, however please note Colorsteel roof is only colour on one side – the top side, the underside is a grey primer – perpetual grey.

CARPORT PLANS:



Floor Plan and Perspective drawings not to scale.

CARPORT COLOUR CHART:



Titania

Grey Friars

Ironsand

Black

Zinc

Colours have been reproduced as accurately as possible.
For specific colour matching we recommend obtaining NZ Steel Colorsteel Colour samples.

Mix and Match the above colours for Posts, Fascia and Roof.

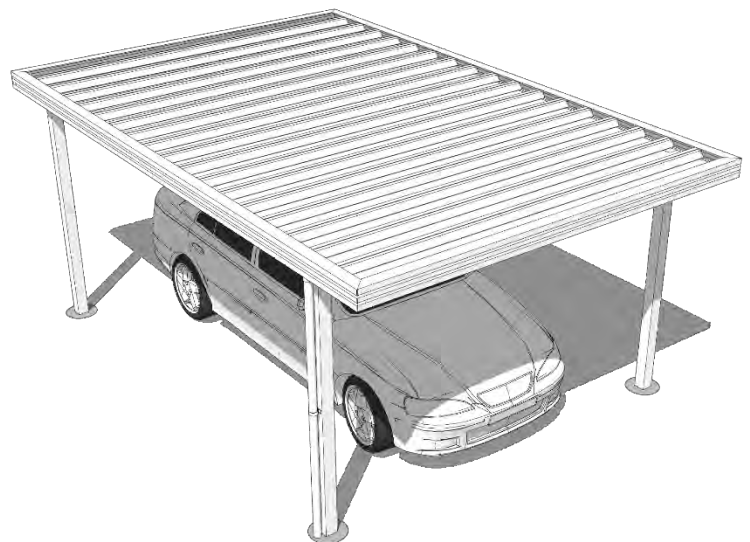
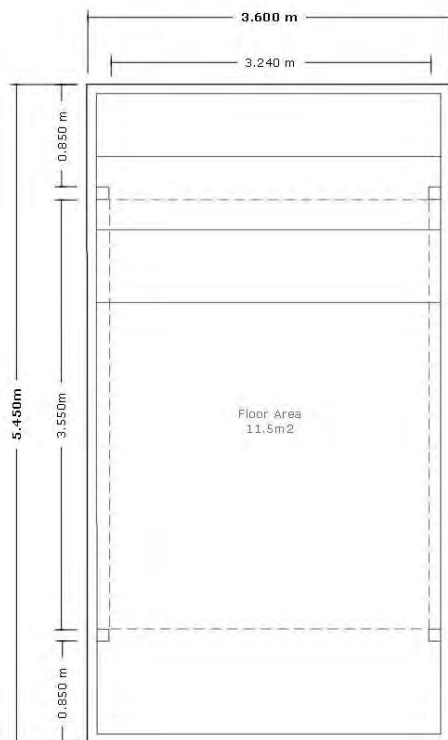
Please Note:

Zinc Carports have Zinalume Roof, Fascia and Galvanised posts.

Colour Trim Carports have a Zinalume Roof with Colorsteel Fascia and Posts.

Colorsteel Carports have a Colorsteel Fascia and Posts with Colorsteel roof, however please note Colorsteel roof is only colour on one side – the top side, the underside is a grey primer – perpetual grey.

CARPORT PLANS:



Floor Plan and Perspective drawings not to scale.

CARPORT COLOUR CHART:



Titania

Grey Friars

Ironsand

Black

Zinc

Colours have been reproduced as accurately as possible.
For specific colour matching we recommend obtaining NZ Steel Colorsteel Colour samples.

Mix and Match the above colours for Posts, Fascia and Roof.

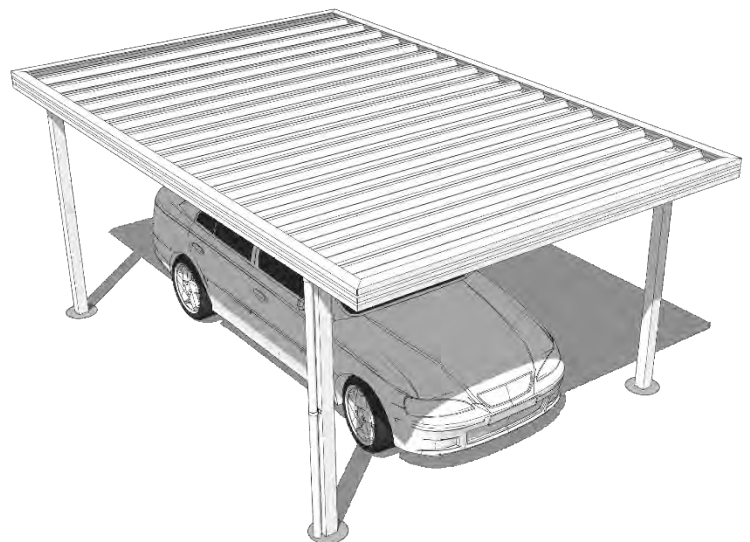
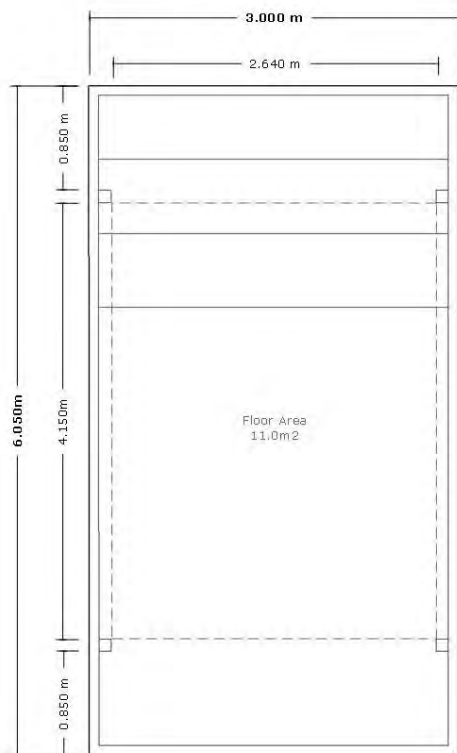
Please Note:

Zinc Carports have Zinalume Roof, Fascia and Galvanised posts.

Colour Trim Carports have a Zinalume Roof with Colorsteel Fascia and Posts.

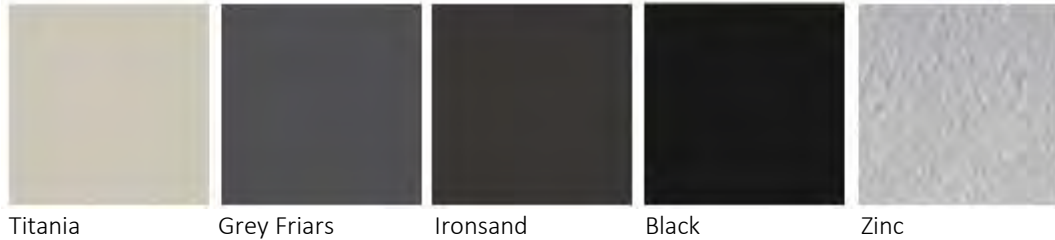
Colorsteel Carports have a Colorsteel Fascia and Posts with Colorsteel roof, however please note Colorsteel roof is only colour on one side – the top side, the underside is a grey primer – perpetual grey.

CARPORT PLANS:



Floor Plan and Perspective drawings not to scale.

CARPORT COLOUR CHART:



Titania

Grey Friars

Ironsand

Black

Zinc

Colours have been reproduced as accurately as possible.
For specific colour matching we recommend obtaining NZ Steel Colorsteel Colour samples.

Mix and Match the above colours for Posts, Fascia and Roof.

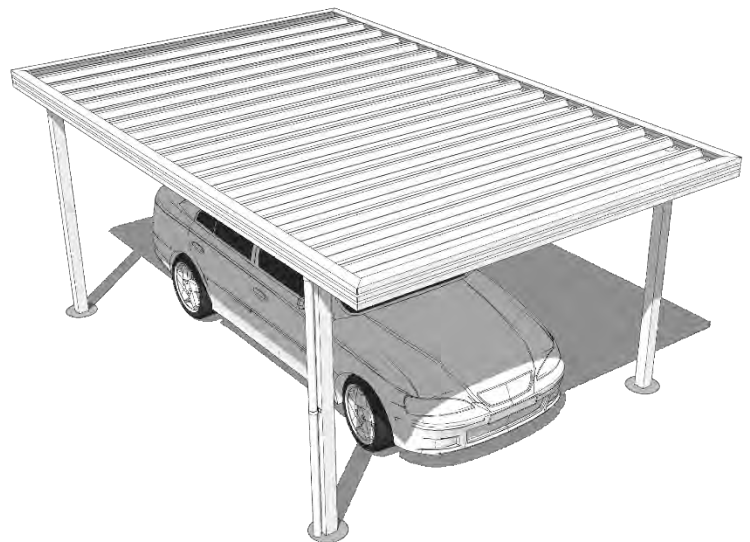
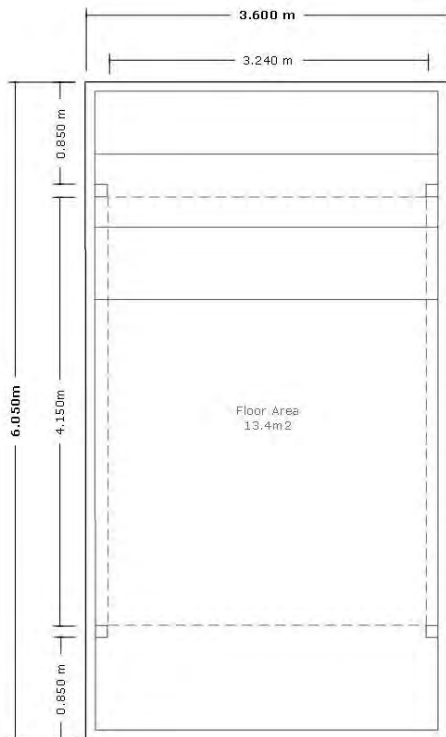
Please Note:

Zinc Carports have Zinalume Roof, Fascia and Galvanised posts.

Colour Trim Carports have a Zinalume Roof with Colorsteel Fascia and Posts.

Colorsteel Carports have a Colorsteel Fascia and Posts with Colorsteel roof, however please note Colorsteel roof is only colour on one side – the top side, the underside is a grey primer – perpetual grey.

CARPORT PLANS:



Floor Plan and Perspective drawings not to scale.



CARPORT COLOUR CHART:



Titania

Grey Friars

Ironsand

Black

Zinc

Colours have been reproduced as accurately as possible.
For specific colour matching we recommend obtaining NZ Steel Colorsteel Colour samples.

Mix and Match the above colours for Posts, Fascia and Roof.

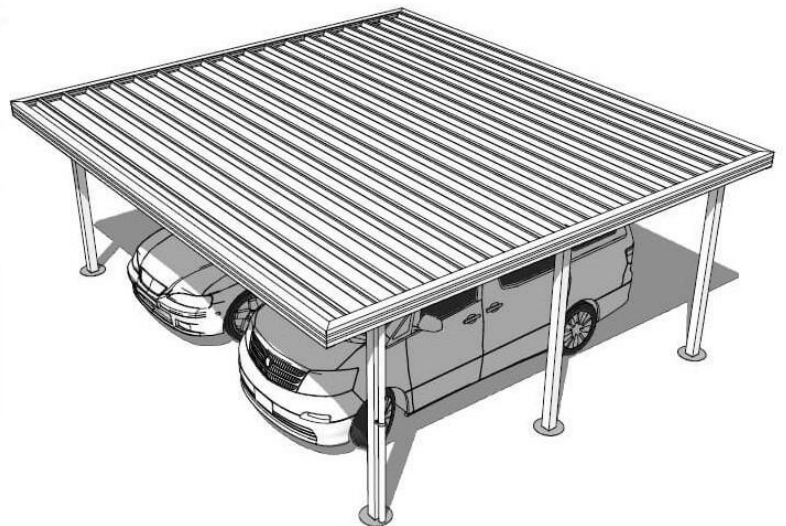
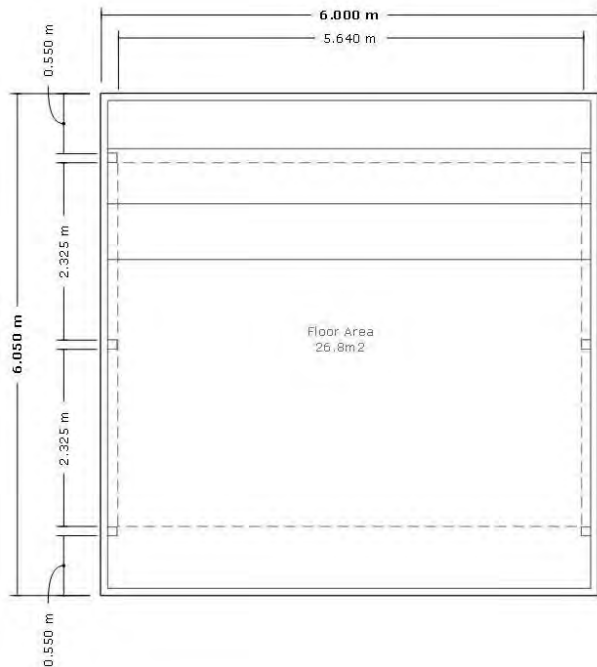
Please Note:

Zinc Carports have Zinalume Roof, Fascia and Galvanised posts.

Colour Trim Carports have a Zinalume Roof with Colorsteel Fascia and Posts.

Colorsteel Carports have a Colorsteel Fascia and Posts with Colorsteel roof, however please note Colorsteel roof is only colour on one side – the top side, the underside is a grey primer – perpetual grey.

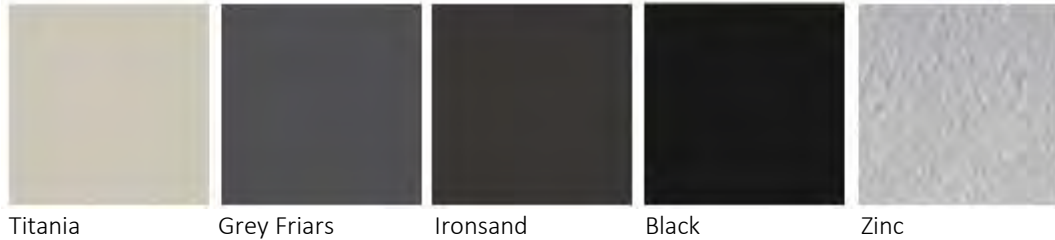
CARPORT PLANS:



Floor Plan and Perspective drawings not to scale.



CARPORT COLOUR CHART:



Titania

Grey Friars

Ironsand

Black

Zinc

Colours have been reproduced as accurately as possible.
For specific colour matching we recommend obtaining NZ Steel Colorsteel Colour samples.

Mix and Match the above colours for Posts, Fascia and Roof.

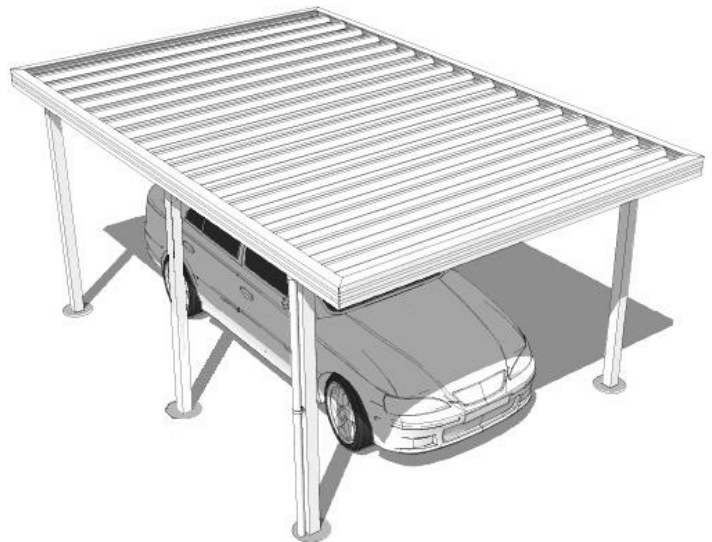
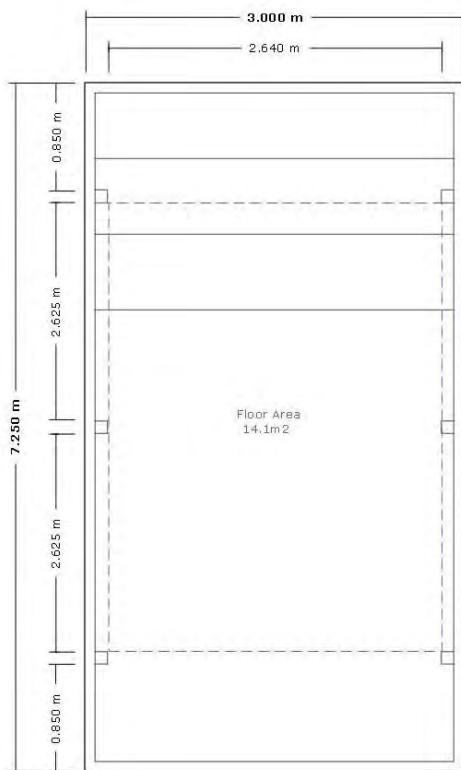
Please Note:

Zinc Carports have Zinalume Roof, Fascia and Galvanised posts.

Colour Trim Carports have a Zinalume Roof with Colorsteel Fascia and Posts.

Colorsteel Carports have a Colorsteel Fascia and Posts with Colorsteel roof, however please note Colorsteel roof is only colour on one side – the top side, the underside is a grey primer – perpetual grey.

CARPORT PLANS:



Floor Plan and Perspective drawings not to scale.



CARPORT COLOUR CHART:



Titania

Grey Friars

Ironsand

Black

Zinc

Colours have been reproduced as accurately as possible.
For specific colour matching we recommend obtaining NZ Steel Colorsteel Colour samples.

Mix and Match the above colours for Posts, Fascia and Roof.

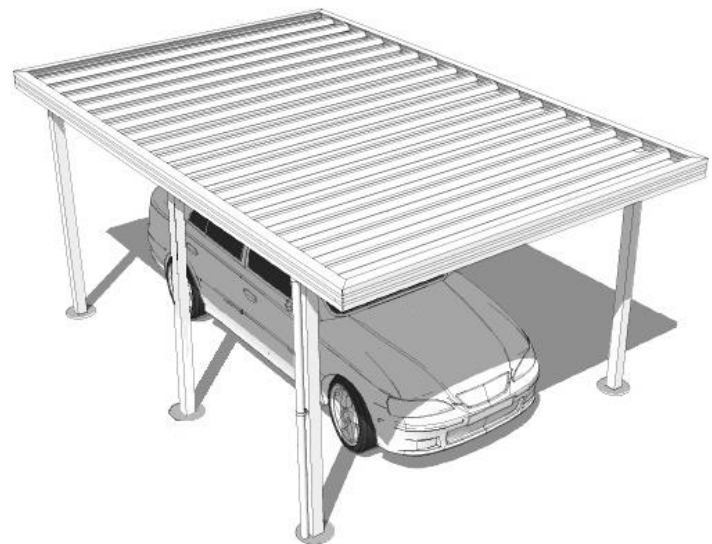
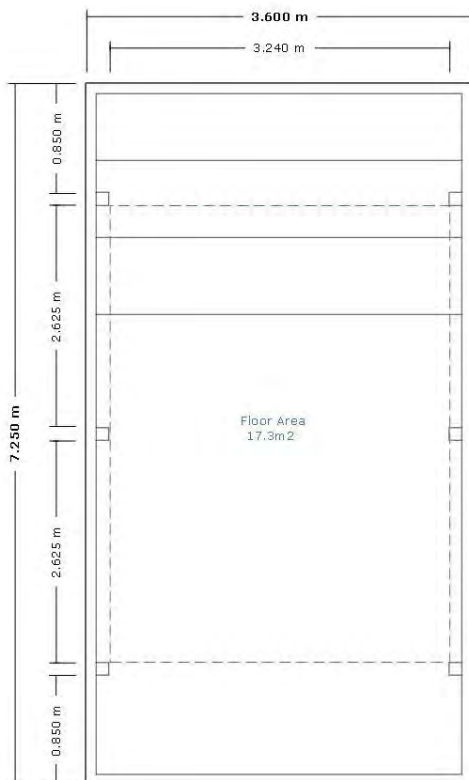
Please Note:

Zinc Carports have Zinalume Roof, Fascia and Galvanised posts.

Colour Trim Carports have a Zinalume Roof with Colorsteel Fascia and Posts.

Colorsteel Carports have a Colorsteel Fascia and Posts with Colorsteel roof, however please note Colorsteel roof is only colour on one side – the top side, the underside is a grey primer – perpetual grey.

CARPORT PLANS:



Floor Plan and Perspective drawings not to scale.

CARPORT COLOUR CHART:



Titania

Grey Friars

Ironsand

Black

Zinc

Colours have been reproduced as accurately as possible.
For specific colour matching we recommend obtaining NZ Steel Colorsteel Colour samples.

Mix and Match the above colours for Posts, Fascia and Roof.

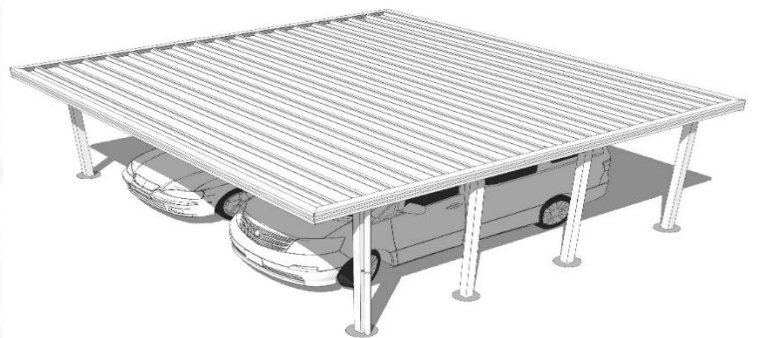
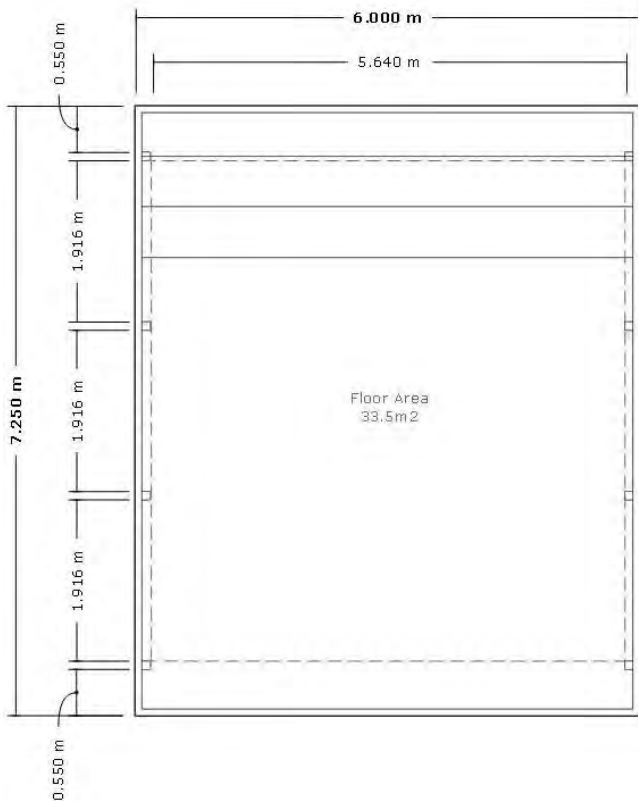
Please Note:

Zinc Carports have Zinalume Roof, Fascia and Galvanised posts.

Colour Trim Carports have a Zinalume Roof with Colorsteel Fascia and Posts.

Colorsteel Carports have a Colorsteel Fascia and Posts with Colorsteel roof, however please note Colorsteel roof is only colour on one side – the top side, the underside is a grey primer – perpetual grey.

CARPORT PLANS:



Floor Plan and Perspective drawings not to scale.

